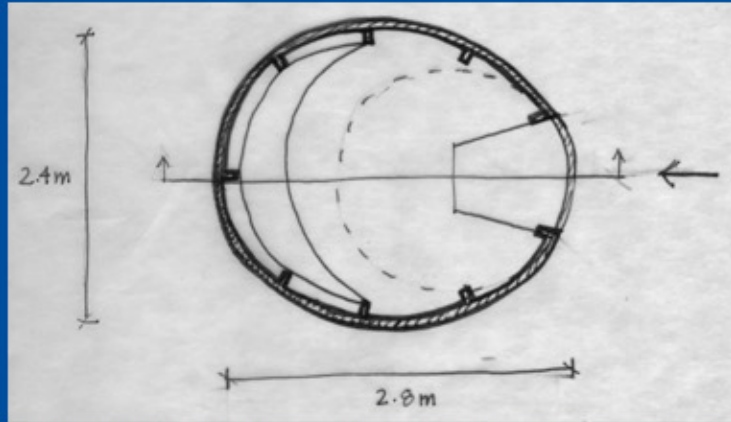
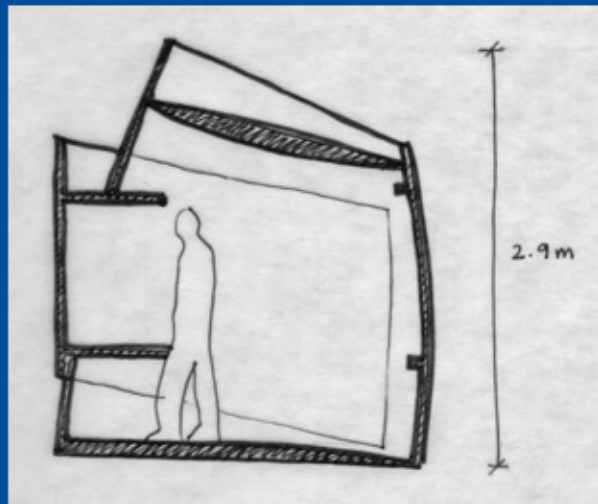


halo



plan

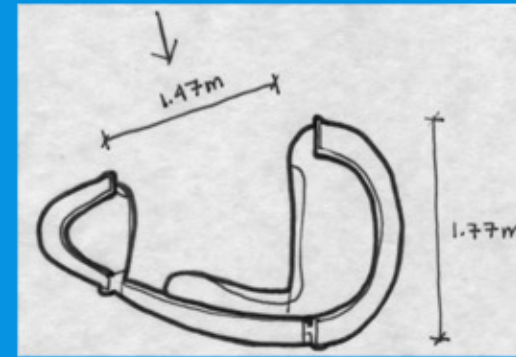


section

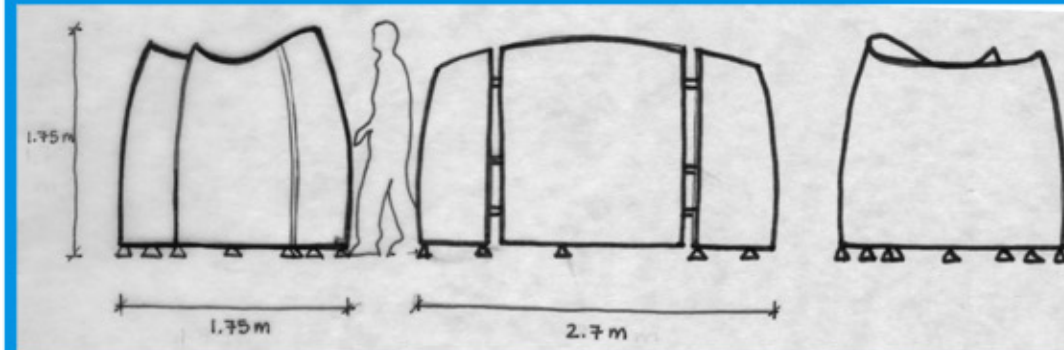
more privacy

Design Issues: v 18, n 3, summer 2002, MIT press

a3



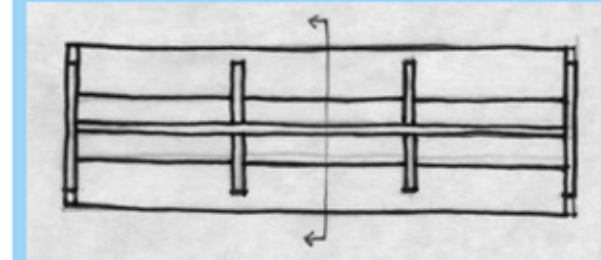
plan



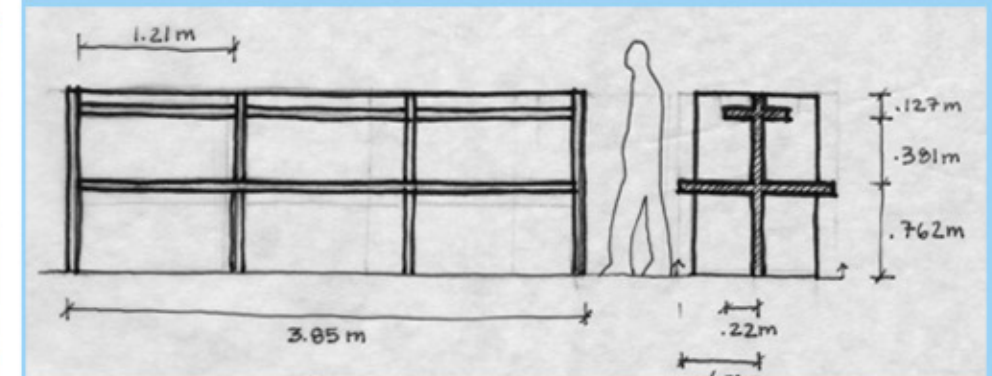
elevation

www.knoll.com

law



plan



elevation + section

less privacy

University of Oregon John E. Jaqua Law Library

plans + sections

acoustical privacy

1/4