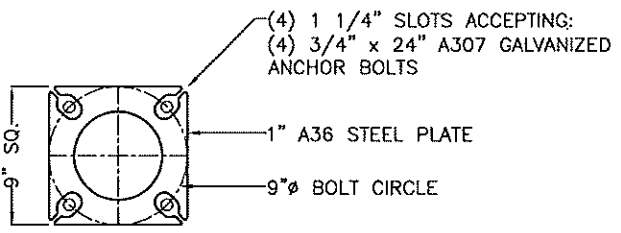
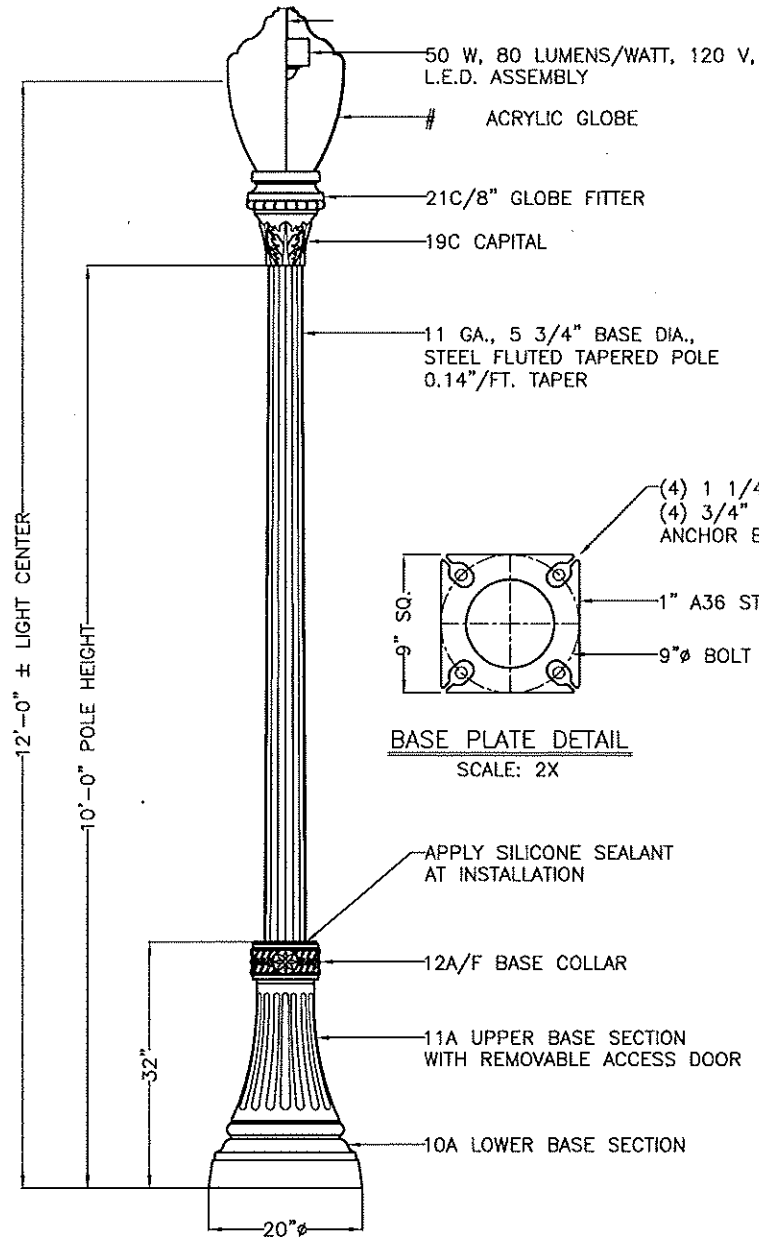


**PAINT SPECIFICATION**

ALL CAST IRON AND STEEL LIGHT POLE PARTS ARE TO BE FACTORY POWDER COATED "U OF O GREEN RAL #6005".



**BASE PLATE DETAIL**  
SCALE: 2X

VI-A-1-F/10'

PROJECT TITLE:		UNIVERSITY OF OREGON EUGENE, OREGON	
DISTRIBUTOR:			
CONTRACTOR:			
REPRESENTATIVE:			
SPECIFIED BY:		DATE: 4/16/12	
SCALE: 1"=1'		JOB NO.:	
CAD FILE: UOFO-42A		29578 AMBREY LANE EUGENE, OREGON 97402 PHONE (541) 688-7741 FAX (541) 461-0951	

A B C D E F

1

1

2

2

3

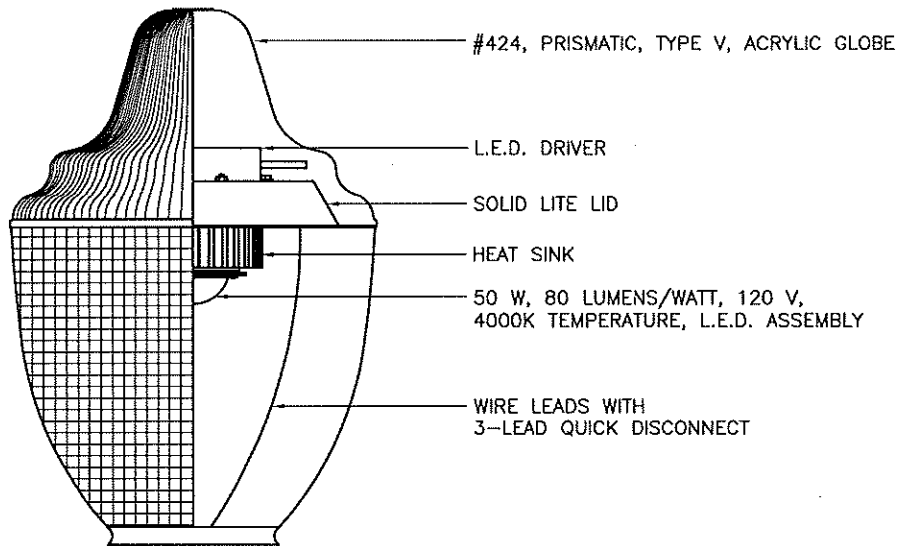
3

4

4

5

5



L.E.D. LUMINAIRE ASSEMBLY

6

6


7

7

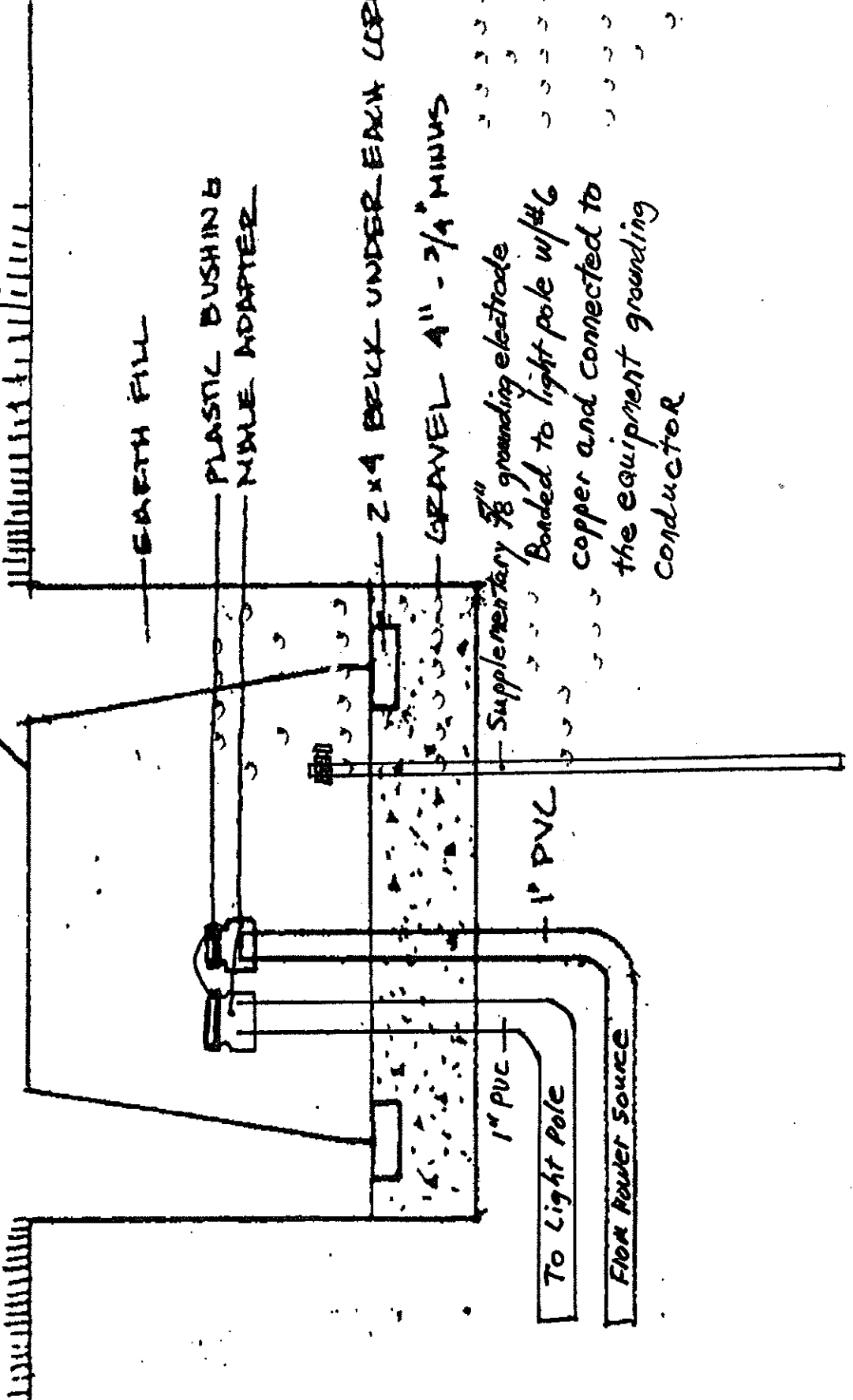
8

8

A B C D E F

PROJECT TITLE:	UNIVERSITY OF OREGON EUGENE, OREGON		
DISTRIBUTOR:			
CONTRACTOR:			
REPRESENTATIVE:			
	SPECIFIED BY:		
	SCALE: 3"=1'	DATE: 4/16/12	
	JOB NO.:	CAD FILE: UOFO-42B	
29379 ANSBREY LANE EUGENE, OREGON 97402 PHONE (541) 588-7741 FAX (541) 481-0951			

J-BOX - CARBON #1A19-12-4YE  
Located next to light pole



EARTH FILL

PLASTIC BUSHING  
MALE ADAPTER

2x4 BEAM UNDER EACH CORNER

GRAVEL 4" - 3/4" MINUS

Supplementary #8 grounding electrode

Bonded to light pole w/#6

copper and connected to

the equipment grounding

conductor

1" PVC

To Light Pole

From Power Source

# WALL OR CEILING MOUNT

HVS HERCULES® SERIES

Cat. #		Approvals
Job	Type	



### APPLICATIONS

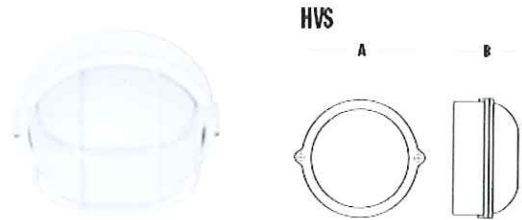
- For unsupervised locations where vandal resistance is a priority, HVS provides proper perspective for mounting heights from 6 to 10 feet. For either wall or ceiling mounting locations. See larger HVL series for higher wattages

### SPECIFICATIONS

- Opal polycarbonate lens retained with cast aluminum door/trim frame and gasketed to housing. Allan-head tamper-resistant screws standard
- Cast aluminum housing with lag mount for durability. Cast trims provide styling and added protection
- Opal lens provides a soft uniform Type V distribution. Wattage/Source selections allow the designer to select the desired footcandle level
- Sources include HPS, fluorescent and incandescent. Lamps must be ordered as an option if desired (incandescent lamps by others)
- Powder paint finishes accent building trim and protect your investment. Standard colors include dark bronze, black, white and platinum

### LISTINGS

- Listed to UL1598 for use in wet locations



	A	B
<b>HVSO</b>	10.1" 257 mm	5" 127 mm
<b>ALL OTHERS</b>	10.1" 257 mm	5.5" 140 mm

## ORDERING INFORMATION

Catalog Number		Style	Wattage	Source	Voltage	Finish
HVSO-6LU-5K-1		Opal Lens	15	LED	120-277	Bronze
HVSO-28F1-1		Opal Lens	28	CFL	120	Bronze
HVSO-42F9-1		Opal Lens	42/32/26	CFL	120-277	Bronze
HVSO-50S1-1		Opal Lens	50	HPS	120	Bronze
HVSO-60I1-1		Opal Lens	60	INC	120-277	Bronze
HVSG-6LU-5K-1		Guard	15	LED	120-277	Bronze
HVSG-28F1-1		Guard	28	CFL	120	Bronze
HVSG-42F9-1		Guard	42/32/26	CFL	120-277	Bronze
HVSG-50S1-1		Guard	50	HPS	120	Bronze
HVSG-60I1-1		Guard	60	INC	120	Bronze
HVSH-6LU-5K-1		Hood	15	LED	120-277	Bronze
HVSH-28F1-1		Hood	28	CFL	120	Bronze
HVSH-42F9-1		Hood	42/32/26	CFL	120-277	Bronze
HVSH-50S1-1		Hood	50	HPS	120	Bronze
HVSH-60I1-1		Hood	60	INC	120	Bronze

Note: Above catalog numbers are finished in dark bronze; for optional finishes, change 1 to 2-black, 4-white, 5-platinum

Note: HID and Incandescent sockets are medium base

### OPTIONS - Add Suffix

Catalog Number	Description
-LP <sup>1</sup>	Lamp included

1 42w fluorescent lamp shipped when ordered with 42F9 fixtures

### REPLACEMENT PART

Catalog Number	Description
264-0400-9903	Replacement lens only for HVS units

Due to our continued efforts to improve our products, product specifications are subject to change without notice.



Hubbell Outdoor Lighting • 701 Millennium Boulevard • Greenville, SC 29607 • PHONE: 864-678-1000  
For more information visit our web site: [www.hubbelloutdoor.com](http://www.hubbelloutdoor.com)